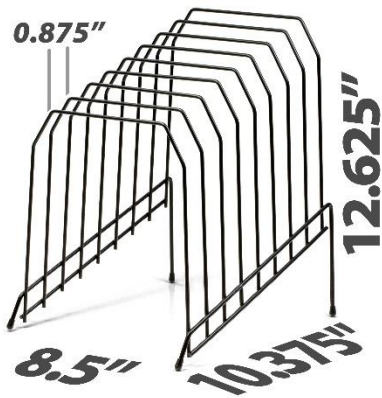


Large Wire Incline Sorter

Description:

- Heavy duty wire construction.
- Eight compartments.
- Graduated incline sorter provides easy access and visibility of files.
- Protective plastic feet.



Specifications:

Shelf Pack

Master Carton

Item #: 25212

Qty: N/A

Qty: 6

Item UPC: 42491-25212-4

UPC: N/A

UPC: 500-42491-25212-9

Item Dimensions: 8.5" x 10.39" x 12.63"

Dimensions: N/A

Dimensions: 11.42" x 9.06" x 18.9"

Weight: 1.65 lbs

Weight: N/A

Weight: 9.92 lbs

Material: Plastic